

CERTIFICATION

Milwaukee Instruments conform to the CE European Directives.



Disposal of Electrical & Electronic Equipment. Do not treat this product as household waste. Hand it over to the appropriate collection point for the recycling of electrical and electronic equipment.



Disposal of waste batteries. This product contains batteries. Do not dispose of them with other household waste. Hand them over to the appropriate collection point for recycling.

Please note: proper product and battery disposal prevents potential negative consequences for human health and the environment. For detailed information, contact your local household waste disposal service or go to www.milwaukeeinstruments.com (USA & CAN) or www.milwaukeeinst.com.

RECOMMENDATION

Before using this product, make sure it is entirely suitable for your specific application and for the environment in which it is used. Any modification introduced by the user to the supplied equipment may compromise the meter's performance. For your and the meter's safety do not use or store the meter in hazardous environment. To avoid damage or burn, do not perform any measurement in microwave ovens.

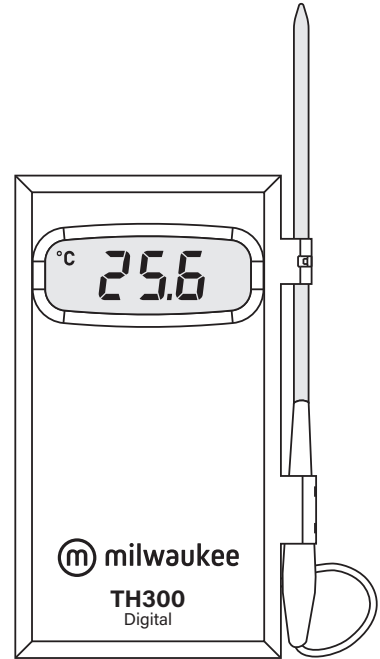
WARRANTY

This instrument is warranted against defects in materials and manufacturing for a period of 2 years from the date of purchase. This warranty is limited to repair or free of charge replacement if the instrument cannot be repaired. Damage due to accidents, misuse, tampering or lack of prescribed maintenance is not covered by warranty. If service is required, contact your local Milwaukee Instruments Technical Service. If the repair is not covered by the warranty, you will be notified of the charges incurred. When shipping any instrument, make sure it is properly packaged for complete protection.

Milwaukee Instruments reserves the right to make improvements in design, construction and appearance of its products without advance notice.

USER MANUAL

TH300 Digital Thermometer



Distributor in Australia

Pacific Sensor Technologies Pty Ltd

Unit 4, 3 Neutron Place Rowville, VIC 3178 Australia

1300 662 720 | sales@pacificsensortech.com.au

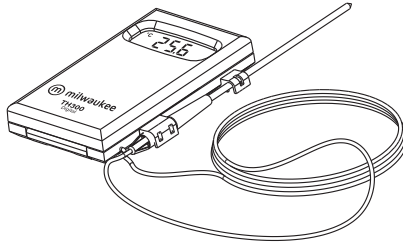
www.pacificsensortech.com.au



DESCRIPTION

Remote temperature measurements require a versatile thermometer with a remote probe that can be used in hard-to-reach spots. The meter must also be easily readable at an angle.

TH300 is equipped with a stainless steel general use probe and a 1 meter cable to make remote reading a simple task.



BATTERY REPLACEMENT

When the **TH300** fades, pull out the rear cover and the 1.5V battery, paying attention to the polarity. Batteries should only be replaced in a safe area using the battery type specified in this instruction manual.

LCD



ENVIRONMENTALLY FRIENDLY

TH300 does not contain any Mercury or leaded glass. These materials are typical of glass thermometers and are hazardous to our environment and your health.

TH300 will not break like glass thermometer, and its extended range will replace 2 or more standard glass thermometers.

TH300 provides a rapid response time, and a battery that lasts up to 1 year.

SPECIFICATIONS

Range	-50.0 to 150.0 °C
Resolution	0.1 °C
Accuracy	±0.5 °C (-20 to 90 °C)
Typical EMC Deviation	±0.3 °C
Probe	Stainless Steel with one meter cable
Switch ON/OFF	no
Calibration Check	no
Environment	0 to 50 °C; max RH 95%
Battery Type	1 x 1.5V AAA
Battery Life	approximately 1 year
Packaging dimensions	225 x 91 x 47 mm
Packaging weight	140 g

